

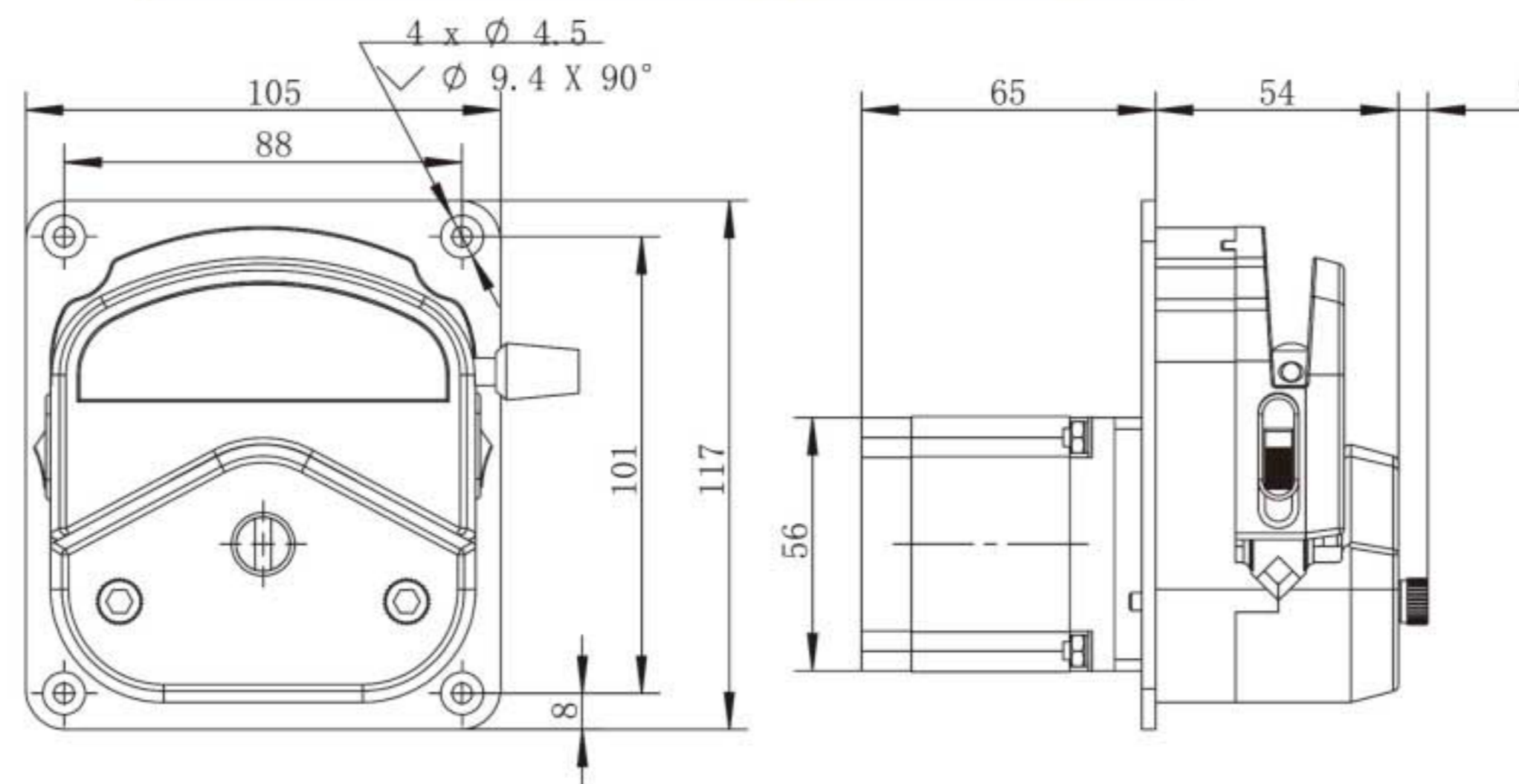
OEM Product

Easy Load Pump Head YZ1515x YZ2515x

OEM-B130/YZ



Dimension Drawing(Unit: mm)



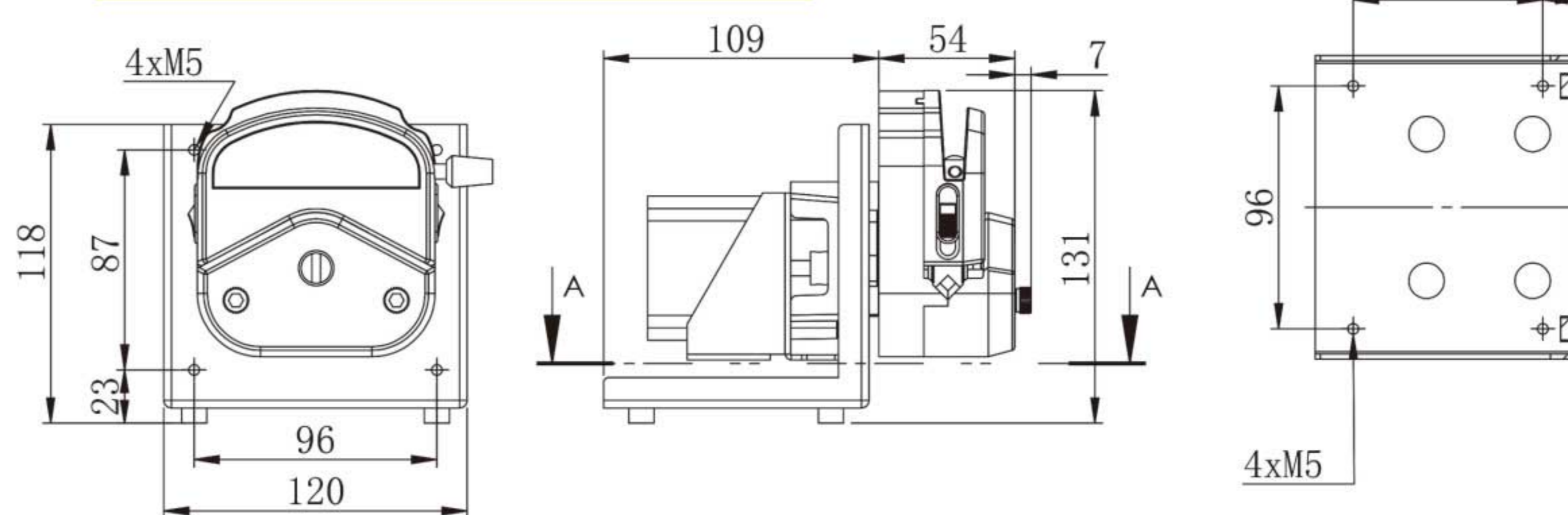
OEM-B130 Technical Specifications

Speed range	0.1-350 rpm	Motor step angle	1.8°
Flow rate range	0.007-1330mL/min	Motor phase voltage	3.3V
Motor type	57stepper motor	Motor phase current	3.0A
Motor phase number	2	Working environment	0-40°C, 80%RH

OEM-B19/YZ



Dimension Drawing(Unit: mm)



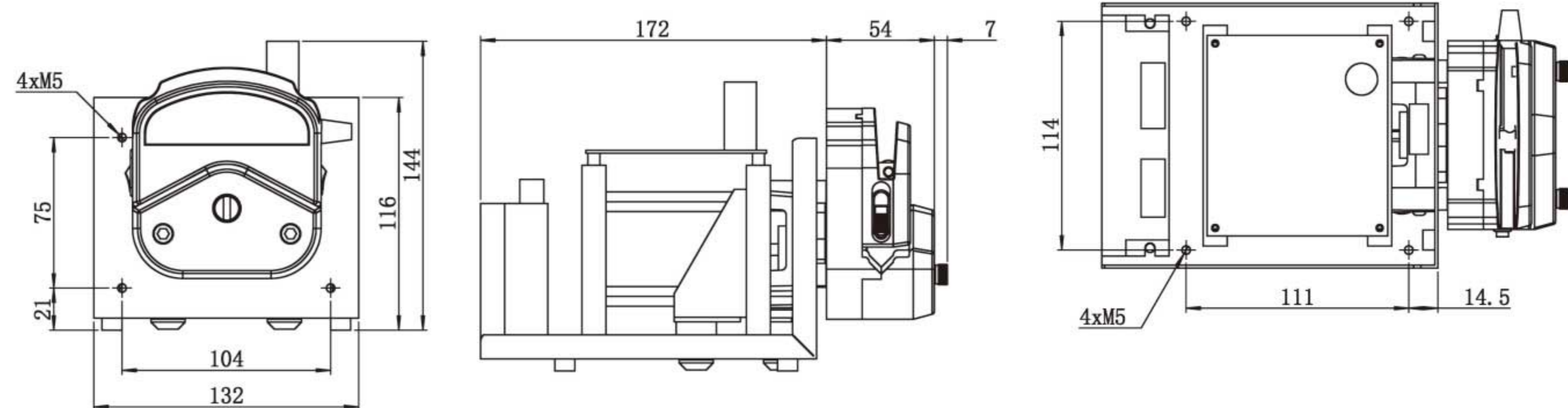
OEM-B19 Technical Specifications

Speed range	0.1-350 rpm	Motor step angle	1.8°
Flow rate range	0.007-1330mL/min	Motor phase voltage	3.3V
Motor type	57stepper motor	Motor phase current	3.0A
Motor phase number	2	Working environment	0-40°C, 80%RH

OEM-B242/B243/B244/YZ



Dimension Drawing(Unit: mm)

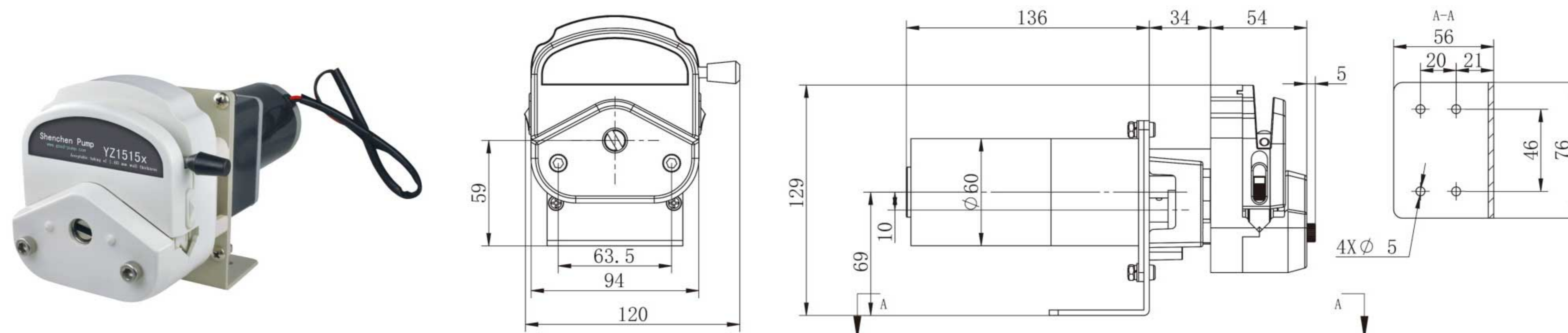


OEM-B242/B243/B244 Technical Specifications

Motor type	Stepper motor	Function type	OEM-B242, Flow rate type
Display	Industrial grade 4.3" LCD color display		OEM-B243, Dispensing type
Control method	Touch screen and Mechanical keypad		OEM-B244, Multichannel filling type
Speed range	≤600rpm	Working environment	0-40°C, 80%RH
Max.flow rate	2280mL/min		

OEM-Z109/YZ(DC motor)

Dimension Drawing(Unit: mm)

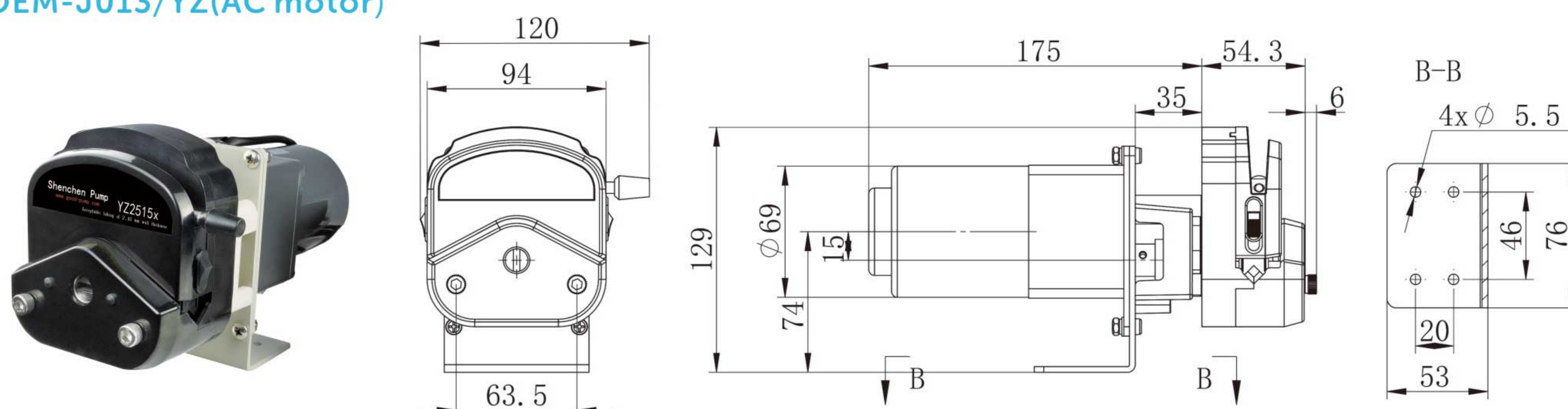


OEM-Z109 Technical Specifications

Model No.	Motor type	Power supply	Power(W)	Speed(rpm)	Speed error	Working environment
OEM-Z109	DC geared motor	DC12V/2A	15	600	≤±10%	0-40°C, 80%RH

OEM-J013/YZ(AC motor)

Dimension Drawing(Unit: mm)

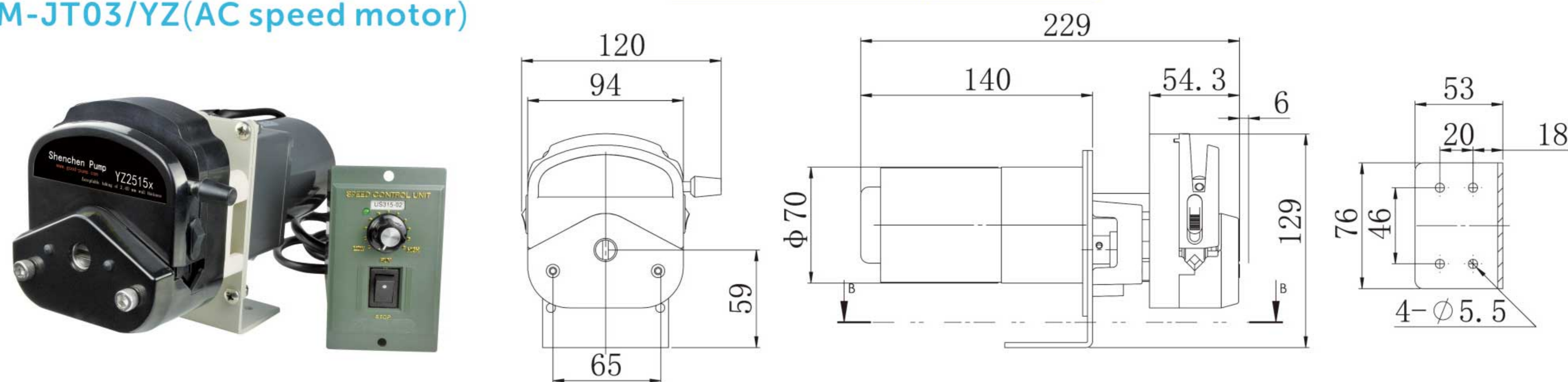


OEM-J013 Technical Specifications

Model No.	Motor type	Power supply	Power(W)	Speed(rpm)	Speed error	Working environment
OEM-J013	AC geared motor	AC220V(standard), AC110V(optional)	15	417	≤±10%	0-40°C, 80%RH

OEM-JT03/YZ(AC speed motor)

Dimension Drawing(Unit: mm)



OEM-JT03 Technical Specifications

Model No.	Motor type	Power supply	Power(W)	Speed(rpm)	Speed error	Working environment
OEM-JT03	AC speed motor	AC220V(standard), AC110V(optional)	15	30-300	≤±10%	0-40°C, 80%RH

